

# Carpet Spotter

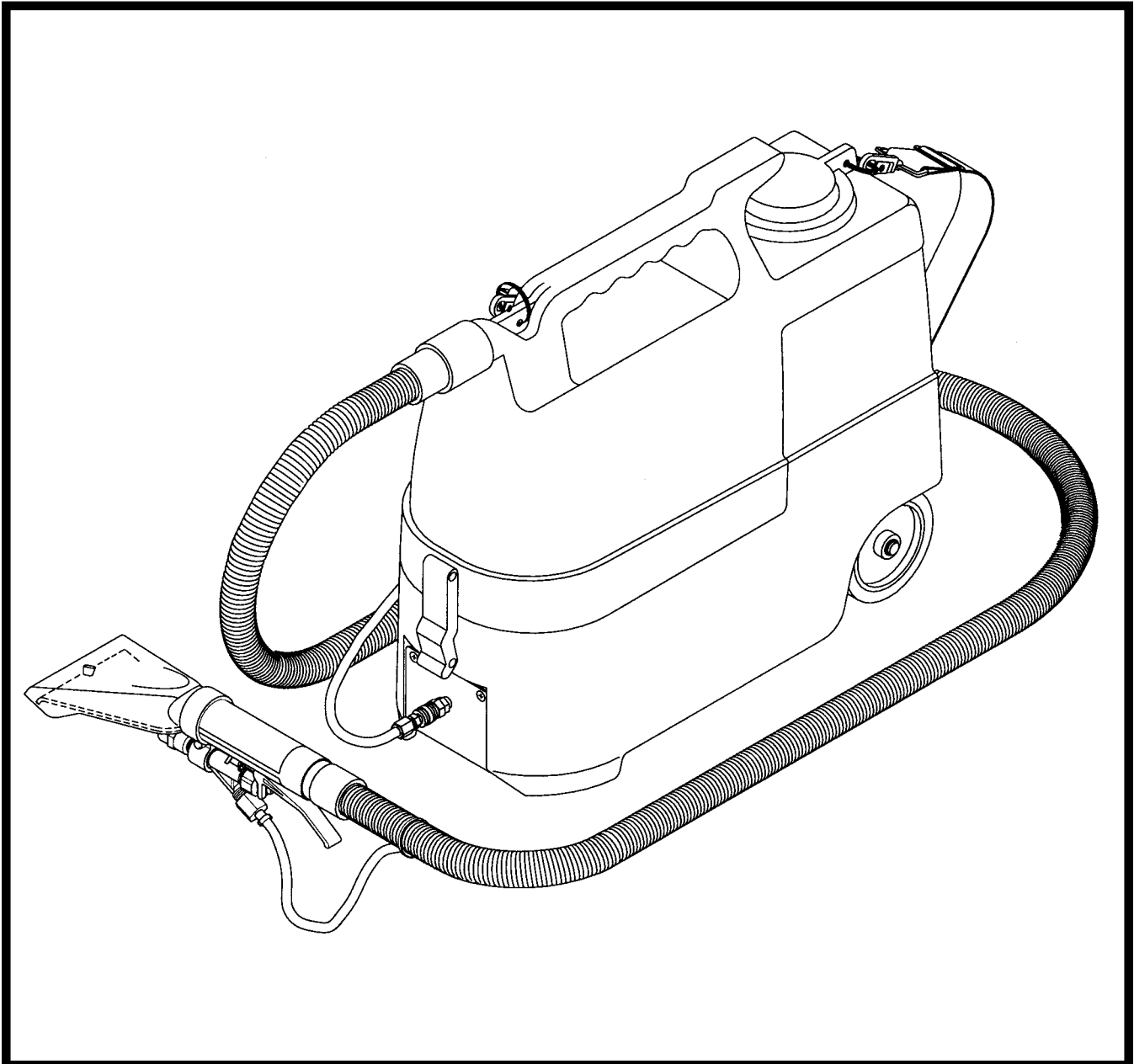
Model: C46200-00  
C46200-02  
C46200-02CE

OPERATION

SERVICE

PARTS

CARE



Revised 9/05

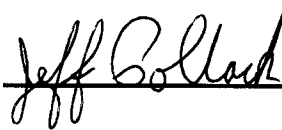
**Minuteman**<sup>®</sup>

# EC Declaration of Conformity

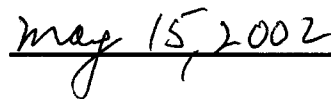
according to Directives 72/23, 89/392, and 89/336

We, Minuteman International Incorporated, of 111 South Rohlwing Road Addison Illinois 60101 USA, declare under our sole responsibility that the product C46200-02CE Commercial Carpet Spotter to which this declaration relates corresponds to the relevant requirements of the EC Directives 72/23, 89/392 and 89/336. The following standards were used to determine compliance with the Directives: EN 292, EN 294, EN 811, EN 55014, EN 55104, EN60335-1, and IEC 335-2-68.

SOUND		VIBRATION						
<b>81 dB Operator</b>	<b>78dB At 3m</b>	<b>3.0 m/s<sup>2</sup> At Operators Handle</b>						
Tests were conducted on 12/18/96 with calibrated sound and vibration equipment under the conditions noted below: <table style="width: 100%; margin-top: 10px;"> <tr> <td style="width: 33%;">General Condition: Indoors</td> <td style="width: 33%;">Wind: 0 km/hr</td> </tr> <tr> <td>Temperature: 25<sup>o</sup>C</td> <td>Humidity: 70%</td> </tr> <tr> <td>Barometric Pressure: 29.5</td> <td></td> </tr> </table>			General Condition: Indoors	Wind: 0 km/hr	Temperature: 25 <sup>o</sup> C	Humidity: 70%	Barometric Pressure: 29.5	
General Condition: Indoors	Wind: 0 km/hr							
Temperature: 25 <sup>o</sup> C	Humidity: 70%							
Barometric Pressure: 29.5								

  
\_\_\_\_\_

*Jeff Pollack, Standards Engineer*

  
\_\_\_\_\_

*Date*

# FOR COMMERCIAL USE ONLY

## IMPORTANT SAFETY INSTRUCTIONS

When using an electrical appliance, basic precautions should always be followed, including the following:

### READ ALL INSTRUCTIONS BEFORE USING

#### **WARNING** - To reduce the risk of fire, electric shock, or injury:

- Do not leave appliance when plugged in. Unplug from outlet when not in use and before servicing.

#### **WARNING**

To reduce the risk of electrical shock, do not expose to rain. Store indoors.

- Use motorized tool on carpet moistened by the cleaning process.
- Do not allow to be used as a toy. Close attention is necessary when used by or near children.
- Use only as described in this manual. Use only manufacturer's recommended attachments.
- Do not use with damaged cord or plug. If appliance is not working as it should, has been dropped, damaged, left outdoors, or dropped into water, return it to a service center.
- Do not pull or carry by cord, use cord as a handle, close a door on cord, or pull cord around sharp edges or corners. Do not run appliance over cord. Keep cord away from heated surfaces.
- Do not unplug by pulling on cord. To unplug, grasp the plug, not the cord.
- Do not handle plug or appliance with wet hands.
- Do not put any object into openings. Do not use with any opening blocked; keep free of dust, lint, hair, and anything that may reduce air flow.
- Keep hair, loose clothing, fingers, and all parts of body away from openings and moving parts.
- Do not pick up anything that is burning or smoking, such as cigarettes, matches, or hot ashes.
- Do not use without dust-bag and/or filters in place.
- Turn off all controls before unplugging.
- Use extra care when cleaning on stairs.
- Do not use to pick up flammable or combustible liquids such as gasoline or use in areas where they may be present.
- Connect to a properly grounded outlet only. See grounding instructions.

### SAVE THESE INSTRUCTIONS

# INSPECTION

Carefully unpack and inspect your machine for shipping damage. Each unit is tested and thoroughly inspected before shipment, and any damage is the responsibility of the delivery carrier who should be notified immediately.

## ELECTRICAL - Model C46200-00 (115V)

This machine is designed to operate on a standard 15 amp. 115 volt, 60 hz, AC circuit. Voltages below 105 volts AC or above 125 volts AC could cause serious damage to the motor.

## ELECTRICAL - Model C46200-02, C46200-02CE (230V)

This machine is designed to operate on a standard 16 amp. type L fused 230 volt, 50 hz, AC circuit. Voltages below 200 volts AC or above 250 volts AC could cause serious damage to the motor. I.E.C. Class 1.

# WARNING

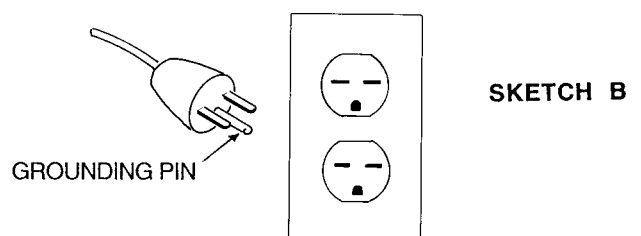
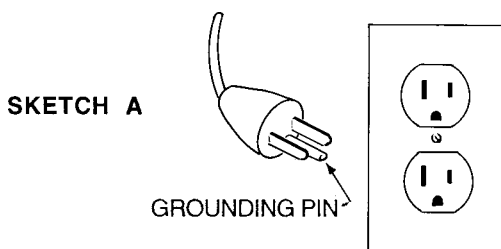
Electric motors can cause explosions when operated near explosive materials or vapors. Do not operate this machine near flammable materials such as solvents, thinners, fuels, grain dust, etc.

# GROUNDING INSTRUCTIONS

This appliance must be grounded. If it should malfunction or breakdown, grounding provides a path of least resistance for electric current to reduce the risk of electric shock. This appliance is equipped with a cord having an equipment-grounding conductor and grounding plug. The plug must be plugged into an appropriate outlet that is properly installed and grounded in accordance with all local codes and ordinances.

**DANGER** - Improper connection of the equipment-grounding conductor can result in a risk of electric shock. Check with a qualified electrician or service person if you are in doubt as to whether the outlet is properly grounded. Do not modify the plug provided with the appliance -- if it will not fit the outlet, have a proper outlet installed by a qualified electrician.

This appliance is for use on a nominal 120-volt circuit and has a grounding plug that looks like the plug illustrated in sketch A below. Make sure that the appliance is connected to an outlet having the same configuration as the plug. No adapter should be used with this appliance.



# **USER MAINTENANCE INSTRUCTIONS**

All service and repair should be performed by qualified vacuum service representative or electrician. No user serviceable components are employed in the electrical vacuum lid head assembly. No lubrication of the motor is required.

## **DAILY MAINTENANCE**

1. Solution tank should be emptied after each use. Flush pumping system with 1 gallon of clean water after use.
2. Check and clean vacuum inlet and solution inlet strainer daily.
3. Removable recovery tank, page 7, item 30, should be rinsed clean daily.
4. Spray jet should be checked for correct spray pattern and cleaned if plugged. Do not clean out spray tip with pins or wire, this may cause damage to the jet spray pattern and cause streaking.
5. Protect equipment from freezing. Severe pumping system damage can occur if allowed to freeze.
6. Inspect vacuum hoses for tight connections. Check electrical cable for abrasion or cuts in jacket. Cord should be replaced if worn or damaged.

## **MONTHLY/BI-MONTHLY MAINTENANCE**

The Solution Pump System should be purged monthly to remove alkaline residue build-up. To flush system out, use 1 quart of white vinegar to 1 1/2 gallons of clean hot water, followed by a clear 1 1/2 gallon rinse. Clean spray jets if required.

## **CORD STORAGE**

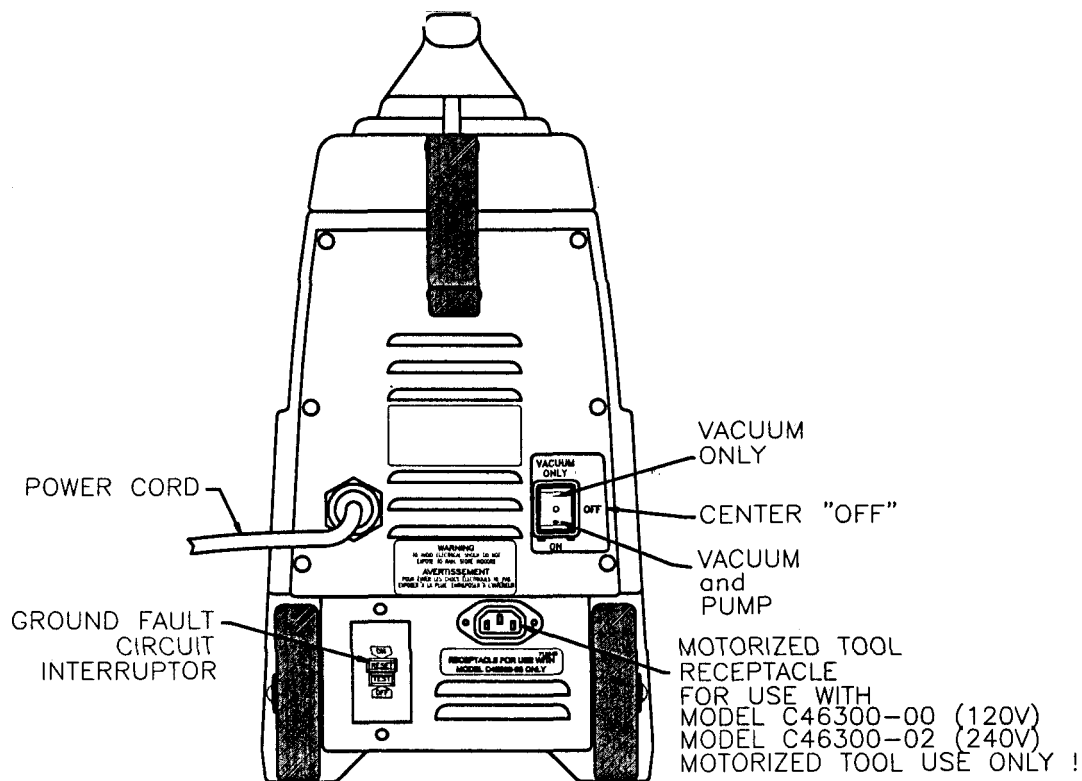
While not in use storage can be accomplished by winding cord around top of machine. Cord hooks are provided.

- Do not use with damaged cord or plug. If appliance is not working as it should, has been dropped, damaged, left outdoors, or dropped into water, return to service center.
- Do not pull or carry by cord, use cord as handle, close a door on cord, or pull cord around sharp edges or corners. Do not run appliance over cord. Keep cord away from heated surfaces.
- Do not unplug by pulling cord. To unplug, grasp the plug, not the cord.
- Do not handle plug or appliance with wet hands.

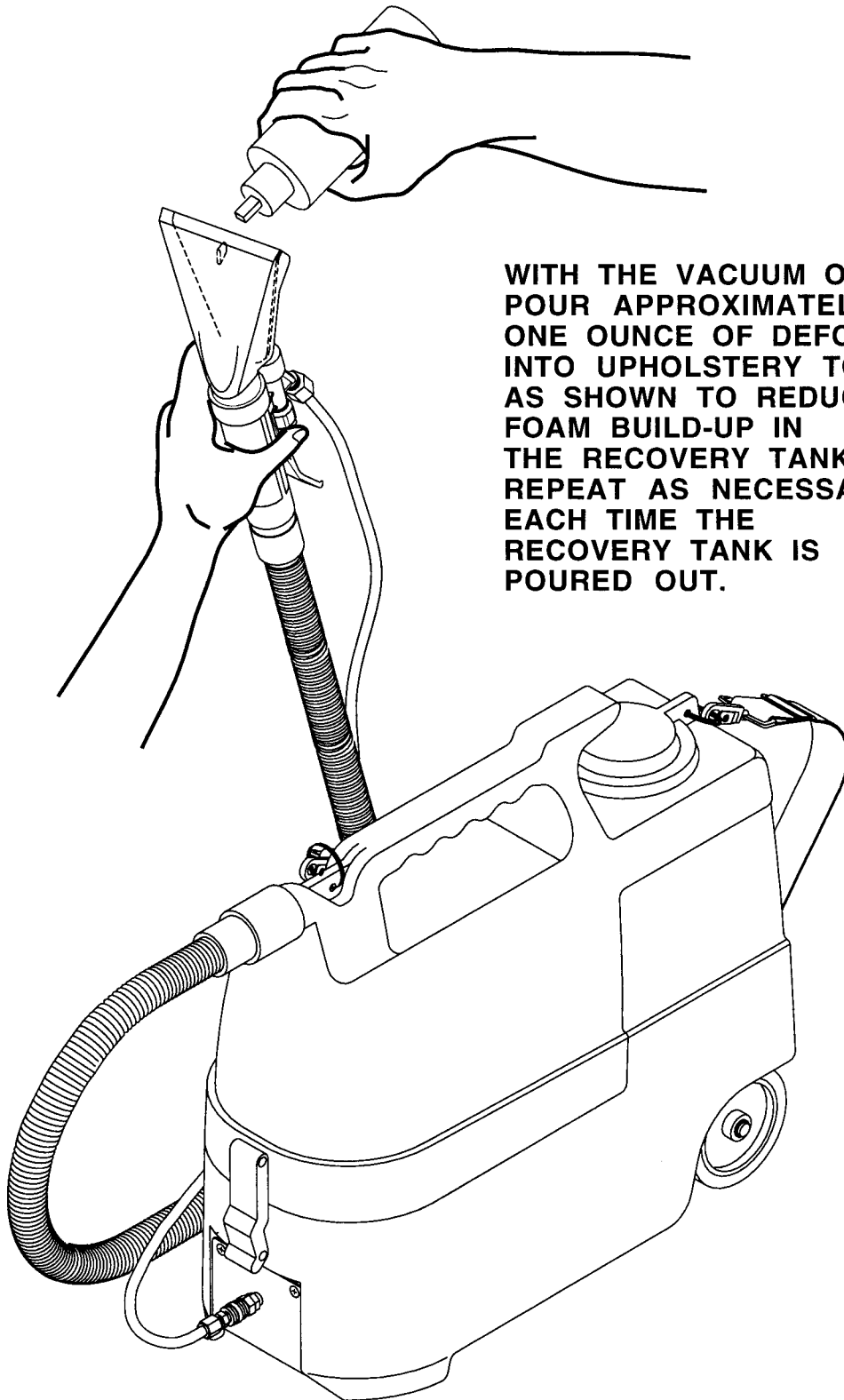
This equipment should be stored indoors and not exposed to rain.

# OPERATING INSTRUCTIONS

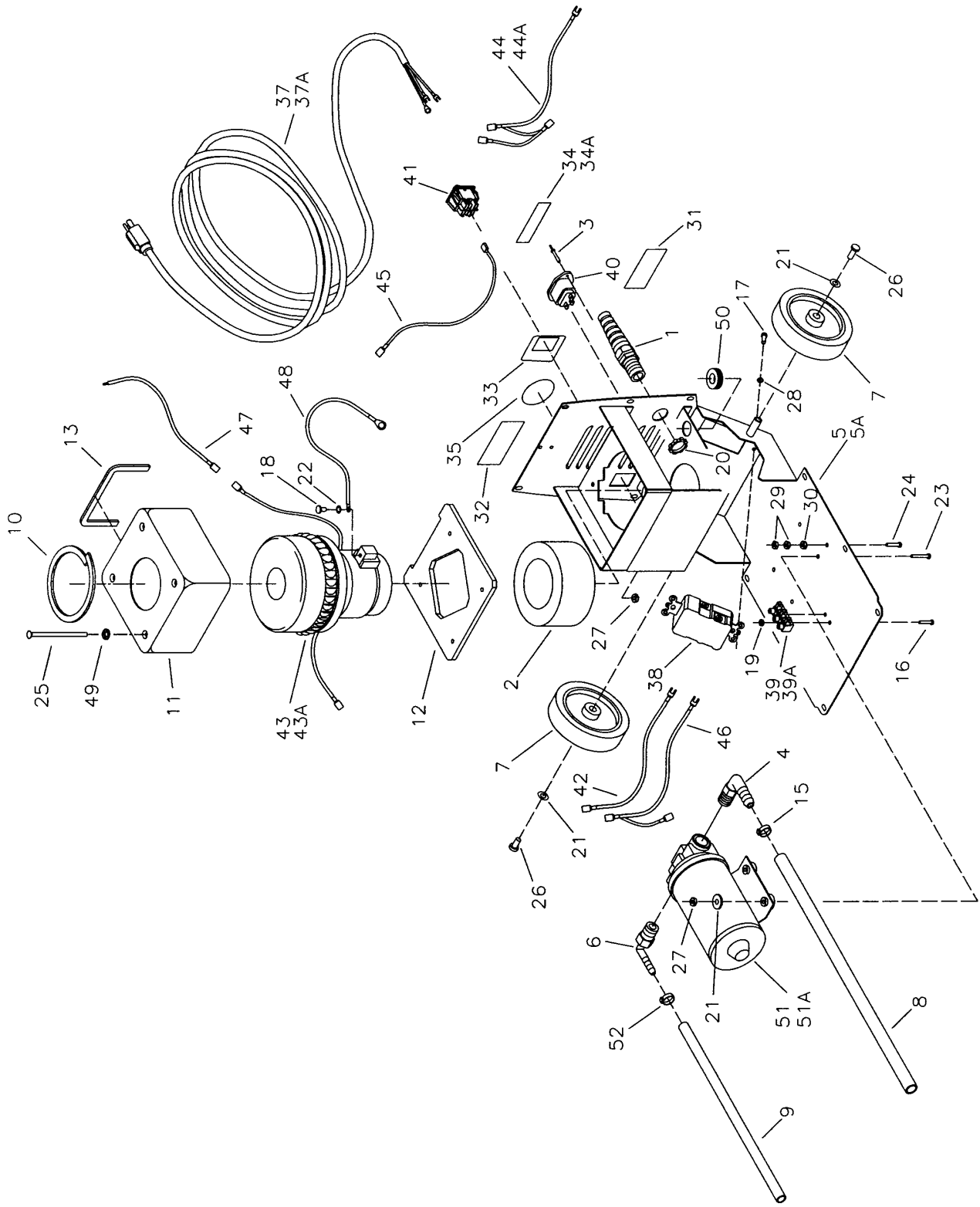
1. Lift the recovery tank of solution tank by releasing the two latches.
2. Add up to 1 1/2 gallons of hot water (maximum 140°F) to the solution tank. If chemicals are required, follow dilution ratios as specified on product label. Use only commercially available cleaning chemicals intended for use on carpet.
3. Place recovery tank back on solution tank and fasten the two latches.
4. Plug power cord into grounded wall outlet.
5. Connect the vac/solution hose assembly to machine.
6. This machine is equipped with a 3-position power switch. Ref. to figure below. The single bar position is for vacuum only - center position is off. Double bar position is for vacuum pump and motorized tool (120V and standard 230V). Turn on machine in the single bar position (CE version 230V only).
7. Always test upholstery for color fastness in a hidden area before beginning cleaning process.
8. **Warning:** This unit does not contain any automatic liquid shut-off devices in the vacuum recovery tank. Do not overfill. Always completely empty recovery tank before refilling solution tank. If foam or liquid comes out of ventilation openings turn off immediately. Remove recovery tank and run for 1 minute to flush all liquid from vacuum fan chamber.



**BEFORE EACH USE OF THE CARPET SPOTTER:**



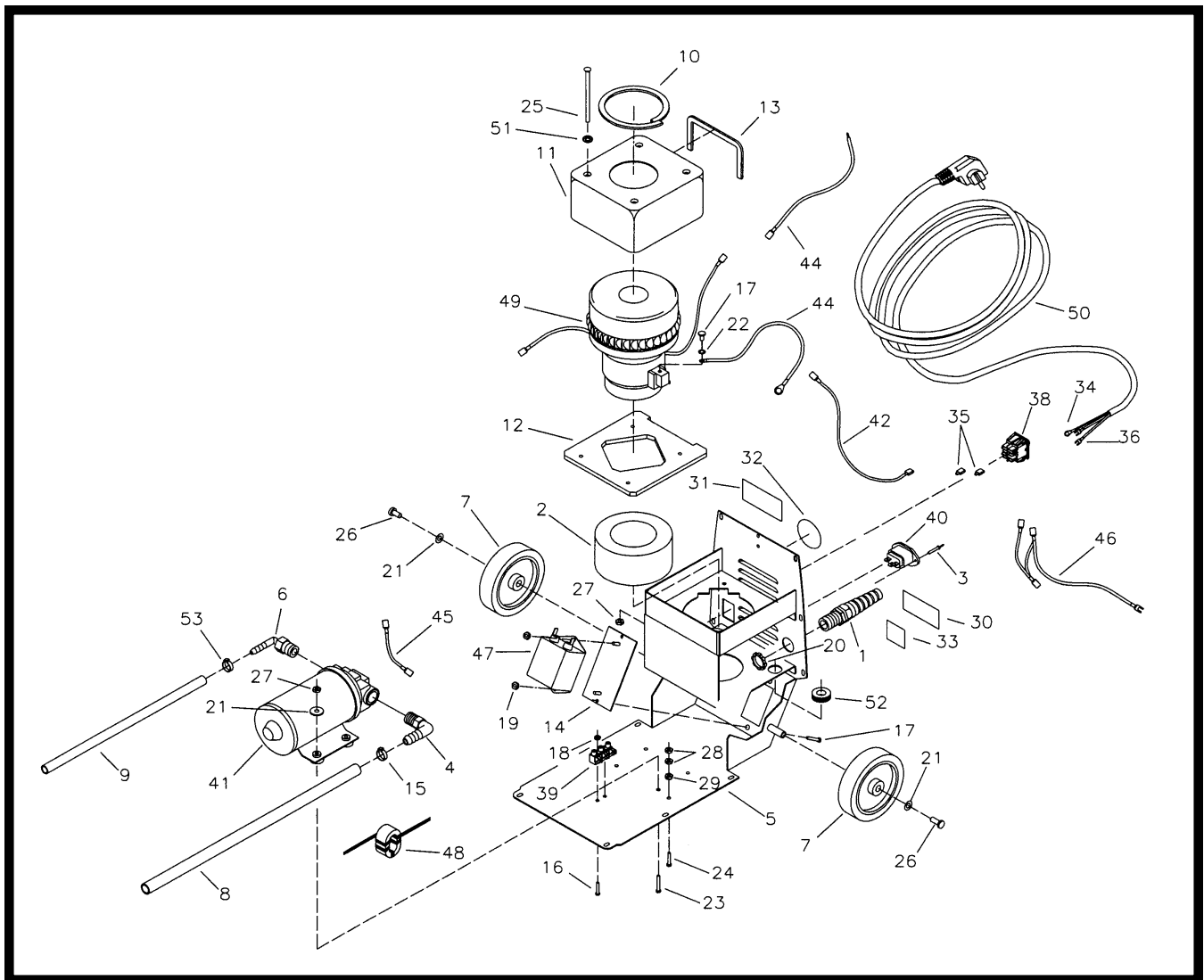
**WITH THE VACUUM ON.  
POUR APPROXIMATELY  
ONE OUNCE OF DEFOAMER  
INTO UPHOLSTERY TOOL  
AS SHOWN TO REDUCE  
FOAM BUILD-UP IN  
THE RECOVERY TANK.  
REPEAT AS NECESSARY  
EACH TIME THE  
RECOVERY TANK IS  
POURED OUT.**





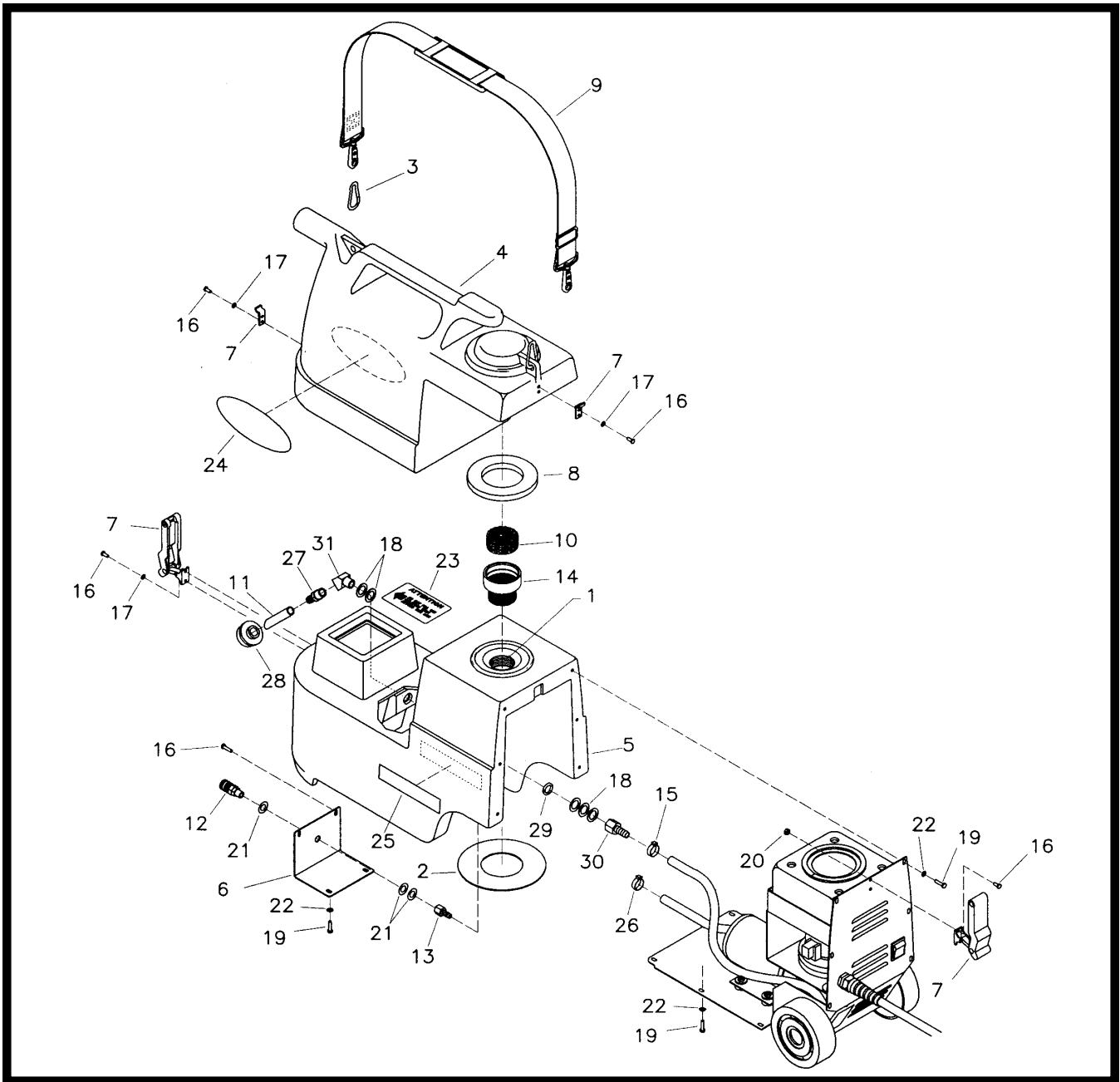
## Parts Listing - 120V & 240V

Item	Part No	Qty	Description
1	150004	1	Heyco Stain Relief
2	380064	1	Foam Ring
3	410-4419AA	2	Pop Rivet
4	450040	1	Elbow PLT 3/8 MPT x 3/8 Barb
5	450213	1	Frame Weldment (120V)
5A	450235	1	Frame Weldment (230V)
6	450222	1	Elbow PLT 3/8 MPT x 1/4 Barb
7	450226	2	Wheel 4"
8	450227	1	Hose Input 3/8 ID x 12 CL
9	450228	1	Hose Output 1/4 ID x 15 CL
10	450247	1	Top Gasket
11	450251	1	Vac Motor Shroud
12	450252	1	Bottom Gasket
13	450253	1	Front Gasket
14	450254	1	Gasket, GFCI (not shown)
15	452037	1	Crimp Clamp 170R
16	710207	1	SCR-MC 6-32 x .87 ST PL
17	711104	2	SCR-ST B 10 x .37
18	711124	1	SCR-ST B 10 x .37 NI
19	711301	1	Nut-Hex 6-32
20	711400	1	Nut-Pipe Lock 1/4 NPT
21	711504	6	WSR-Flat 1/4 SS
22	711553	1	WSR-INT Lock #10
23	712532	4	SCR-MC 10-24 x 1.00 SS
24	712537	1	SCR-MC 10-24 x .75 SS
25	712543	4	SCR-MC 10-24 x 3.50 FH SS
26	712560	2	SCR-MC 1/4-20 x .50 SS Nyloc
27	712638	8	Nut-Hex 10-24 SS Nyloc
28	712770	2	WSR-Int. Tooth #10
29	712905	2	Nut-Hex 10-24
30	712908	1	Nut-Flanged Wizz 10-24
31	715009	1	Decal - Warning
32	715029	1	Decal - Serial Number
33	715179	1	Decal - Spotter Switch
34	715340	1	Decal - (120V)
34A	715341	1	Decal - (240V)
35	715501	1	Decal - Made in USA
36	740099	2	Wire Tie Small (not shown)
37	740387	1	Cord 18-3, 25 FT, Spade Term
37A	742248	1	Cord Asm 230V Crptspr
38	740448	1	Ground Fault Interrupter 115V Only
39	740726	1	Terminal Block 3-Position
39A	742101	1	Terminal Block 4-Position
40	741038	1	Receptacle
41	742102	1	Switch 2-Position
42	742196	1	Wire Asy Grn/Yel 16G
43	742244	1	Vac Motor Assembly 115V
43A	742346-1	1	Vac Motor Assembly 230Vac w/Therm
44	742240	1	Wire Asy Violet 16G (120V only)
44A	742250	1	Wire Asy Violet 16G (230V only)
45	742241	1	Wire Asy Black 16G
46	742242	1	Wire Asy White 16G (120V only)
47	742243	1	Wire Asy White 16G
48	742245	1	Wire Asy Grn/Yel 16G
49	75-89A	4	Nut-Speed
50	762299	2	Rubber Grommet
51	829757	1	Pump 50 PSI 115V
51A	742150	1	Pump 230V Bypass
52	828490	1	Crimp Clamp 140R



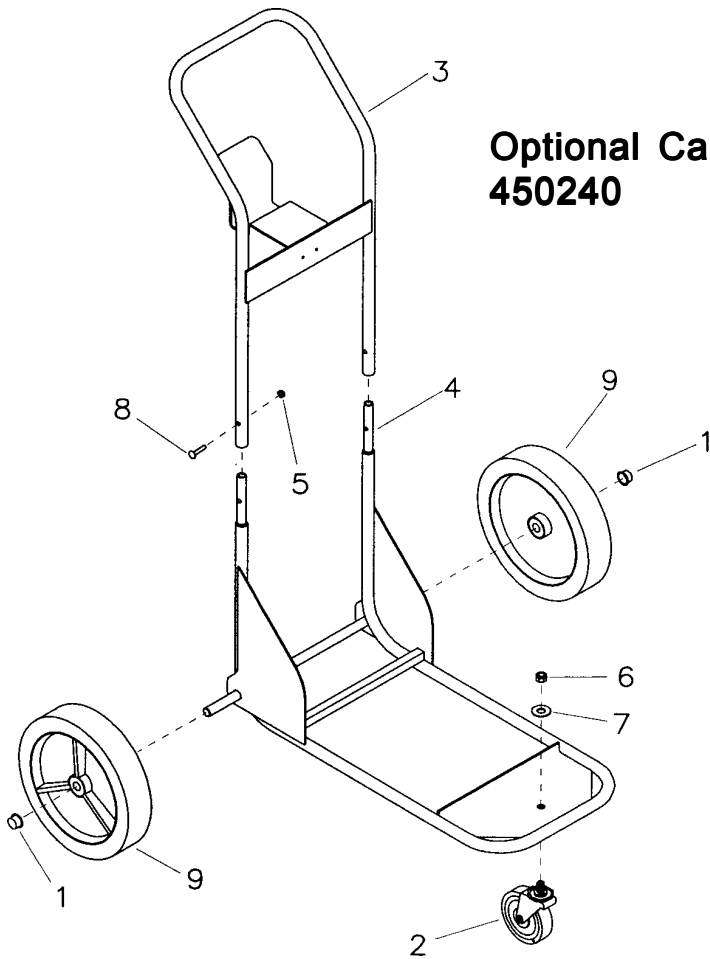
### 450220CE 230V European Parts Listing

Item	Part No	Qty	Description	Item	Part No	Qty	Description
1	150004	1	Heyco Stain Relief	28	712905	2	Nut-Hex 10-24
2	380064	1	Foam Ring	29	712908	1	Nut-Flanged Wizz 10-24
3	410-4419AA	2	Pop Rivet	30	715009	1	Decal - Warning
4	450040	1	Elbow PLT 3/8 MPT x 3/8 Barb	31	715029	1	Decal - Serial Number
5	450213CE	1	Frame Weldment	32	715501	1	Decal - Made in USA
6	450222	1	Elbow PLT 3/8 MPT x 1/4 Barb	33	715633	1	Decal - CE
7	450226	2	Wheel 4"	34	740010	1	Ring #10 14-16G Non-Insul
8	450227	1	Hose Input 3/8 ID x 12 CL	35	740014	2	Terminal Insulated
9	450228	1	Hose Output 1/4 ID x 15 CL	36	740018	2	FEM RT Ang 14-16G INS 1/4"
10	450247	1	Top Gasket	37	740099	2	Wire Tie Small (not shown)
11	450251	1	Vac Motor Shroud	38	740711CE	1	Switch 2 Position
12	450252	1	Bottom Gasket	39	740726	1	Terminal Screw Tab
13	450253	1	Front Gasket	40	741038	1	Receptacle, IEC 320
14	450299	1	EMI Filter Mounting Plate	41	742150	1	Pump 230V Bypass
15	452037	1	Crimp Clamp 170R	42	742240	1	Wire Asy Black 16G
16	710207	1	SCR-MC 6-32 x .87 ST PL	43	742243	1	Wire Asy White 16G
17	711124	3	SCR-ST B 10 x .37 NI	44	742245	1	Wire Asy Grn/Yel 16G
18	711301	1	Nut-Hex 6-32	45	742249	1	Wire Asy White 16G
19	711304	2	Nut-Hex 8-32 ST PL	46	742250	1	Wire Asy Violet 16G
20	711400	1	Nut-Pipe Lock 1/4 NPT	47	712256	1	EMI Filter
21	711504	6	WSR-Flat 1/4 SS	48	742292	1	Ambassador CE RFI Torrid
22	711553	1	WSR-INT Lock #10	49	742346-1	1	Vac Motor Assy 230vac w/Therm
23	712532	4	SCR-MC 10-24 x 1.00 SS	50	742381	1	Cord Set 25 ft. 1.0 m.m.
24	712537	1	SCR-MC 10-24 x .75 SS	51	75-89A	4	Nut-Speed
25	712543	4	SCR-MC 10-24 x 3.50 FH SS	52	762299	2	Rubber Grommet
26	712560	2	SCR-MC 1/4-20 x .50 SS Nyloc	53	828490	1	Crimp Clamp 140R
27	712638	4	Nut-Hex 10-24 SS Nyloc				

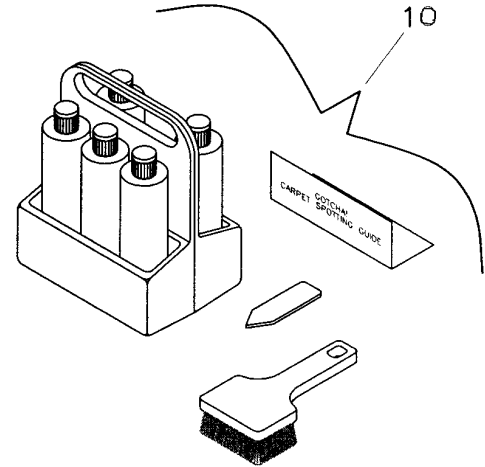


## Parts Listing

ITEM	PART NO	QTY	DESCRIPTION	ITEM	PART NO	QTY	DESCRIPTION
1	000708	.03	RTV Sealant	17	711552	8	WSR-Int Tooth 8
2	260294	1	Gasket	18	711594	3	WSR-Flat .56 x .88 x .03
3	430103	2	Spring Hook	19	712540	16	SCR-MC 10-24 x 3/8 SS
4	450201	1	Recovery Tank	20	712621	2	Nut-Keps 8-32 SS
5	450202MCH	1	Solution Tank Machined	21	712767	3	WSR-Flat .406 x .75 x .03 SS
6	450205	1	Quick Disconnect Plate	22	712770	16	WSR-Int Tooth 10
7	450207	2	Latch	23	715180	1	Decal
8	450209	1	Gasket	24	715188	2	Decal, Gotcha!
9	450214	1	Strap	25	715380	2	Decal, Minuteman
10	450215	1	Vac Pre-filter	26	828490	1	Crimp Clamp 140R
11	450216	1	Solution Hose	27	828952	1	3/8 BARB x 1/4 MPT PLS
12	450221	1	Quick Connect Coupler	28	828974	1	Strainer
13	450225	1	1/4 BARB x 1/8 FPT Brass	29	832326	1	O-Ring
14	450229	1	Filter Assembly	30	833473	1	3/8 Hose BARB x 1/4 FPT
15	452037	1	Crimp Clamp 170R	31	833906	1	1/4 Street 45 Brass
16	710025	8	SCR-MC 8-32 x 3/8 SS				



**Optional Cart  
450240**

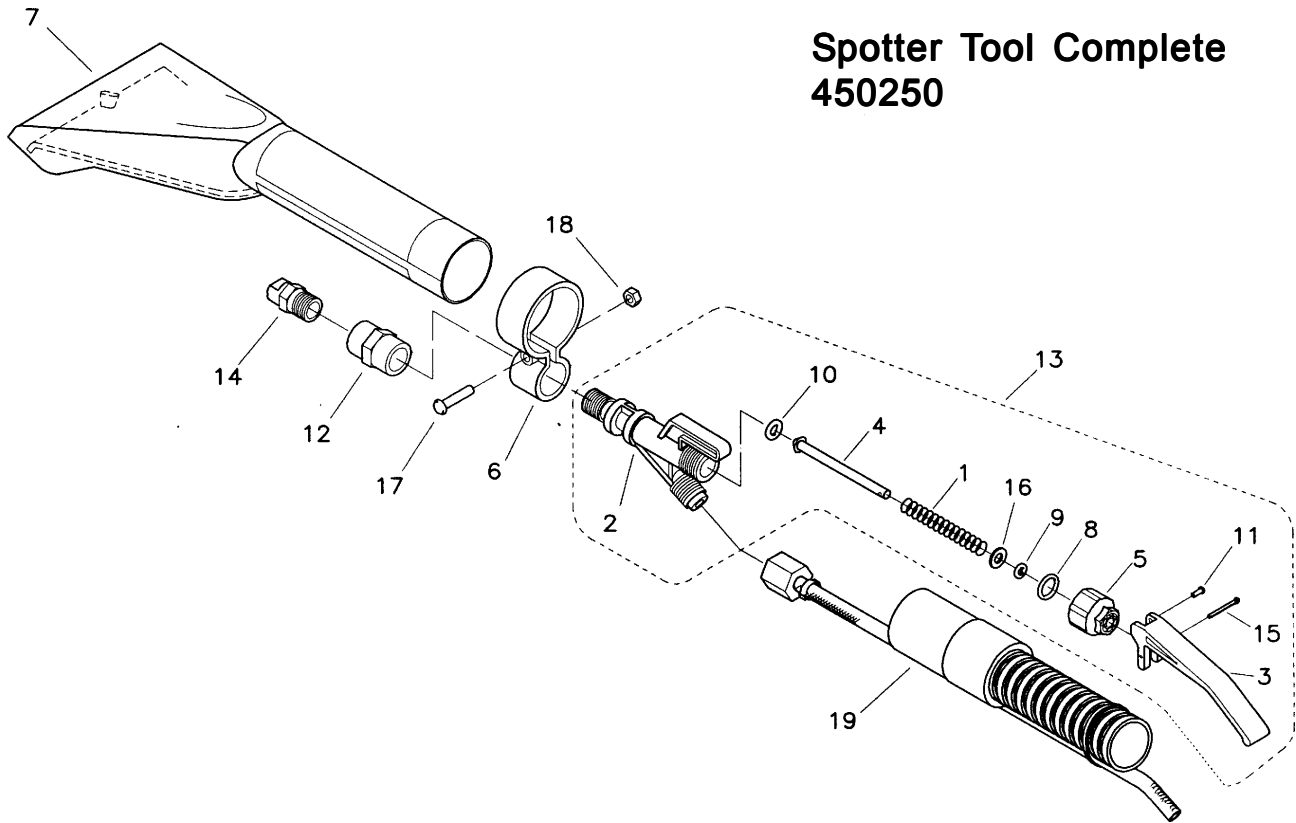


**Optional Spotter Kit  
902000**

**Parts Listing**

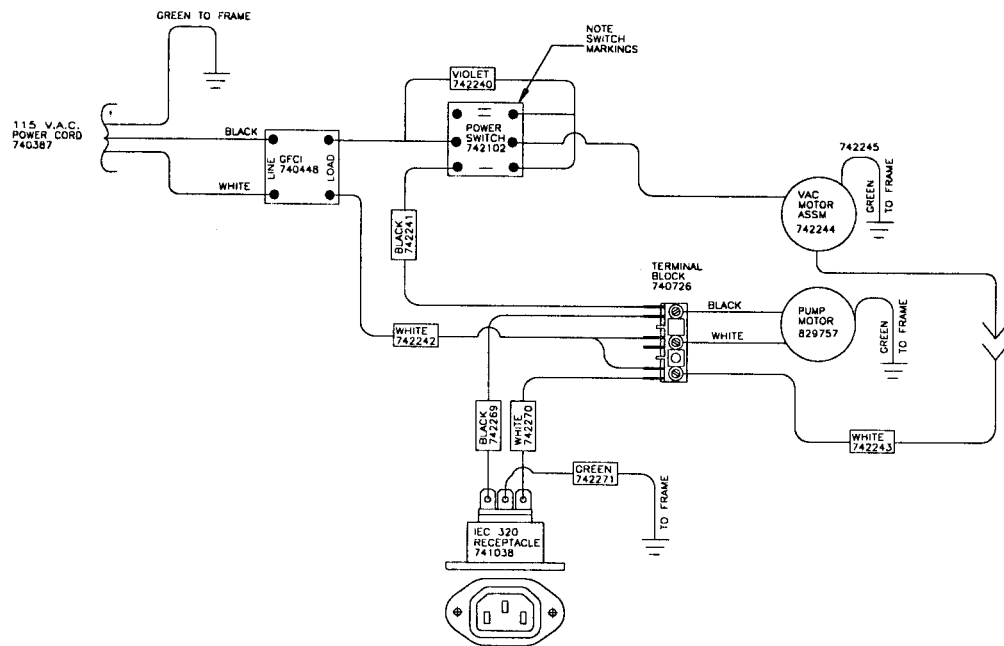
ITEM	PART NO	QTY	DESCRIPTION
1	130032	2	Hub Cap
2	280016	1	3" Caster
3	450238	1	Handle Weldment
4	450239	1	Frame Weldment
5	711350	2	Nut 10-32 Nyloc
6	711375	1	Nut 3/8-16 Nyloc
7	711508	1	WSR .44 x 1.0 x .09
8	712546	2	SCR-MC 10-32 x 1.0 SS
9	900008	2	8" Dia Wheel
10	902000	1	Optional - Carpet Spotting Kit

## Spotter Tool Complete 450250

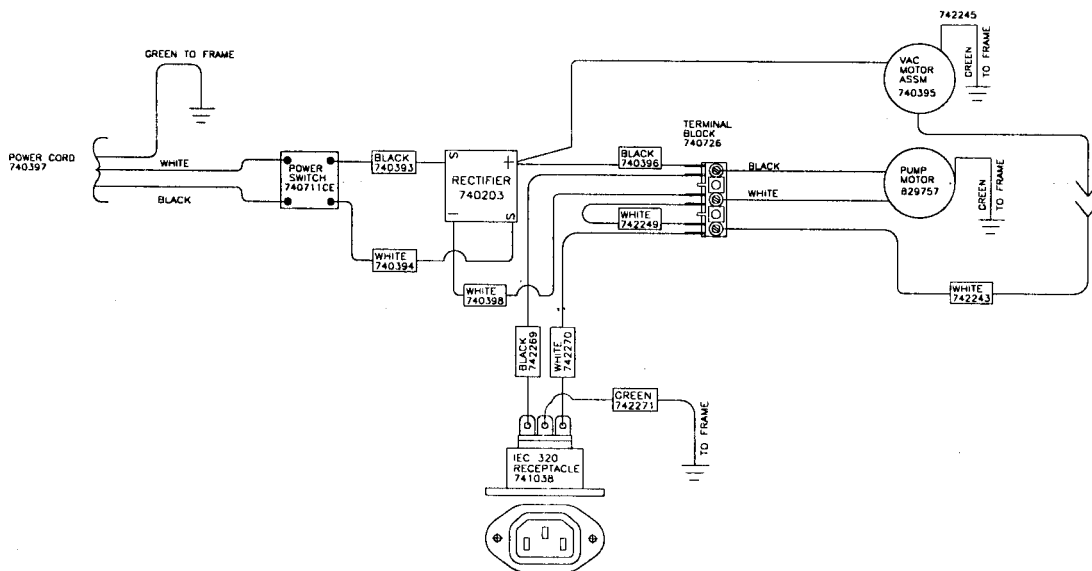


### Parts Listing

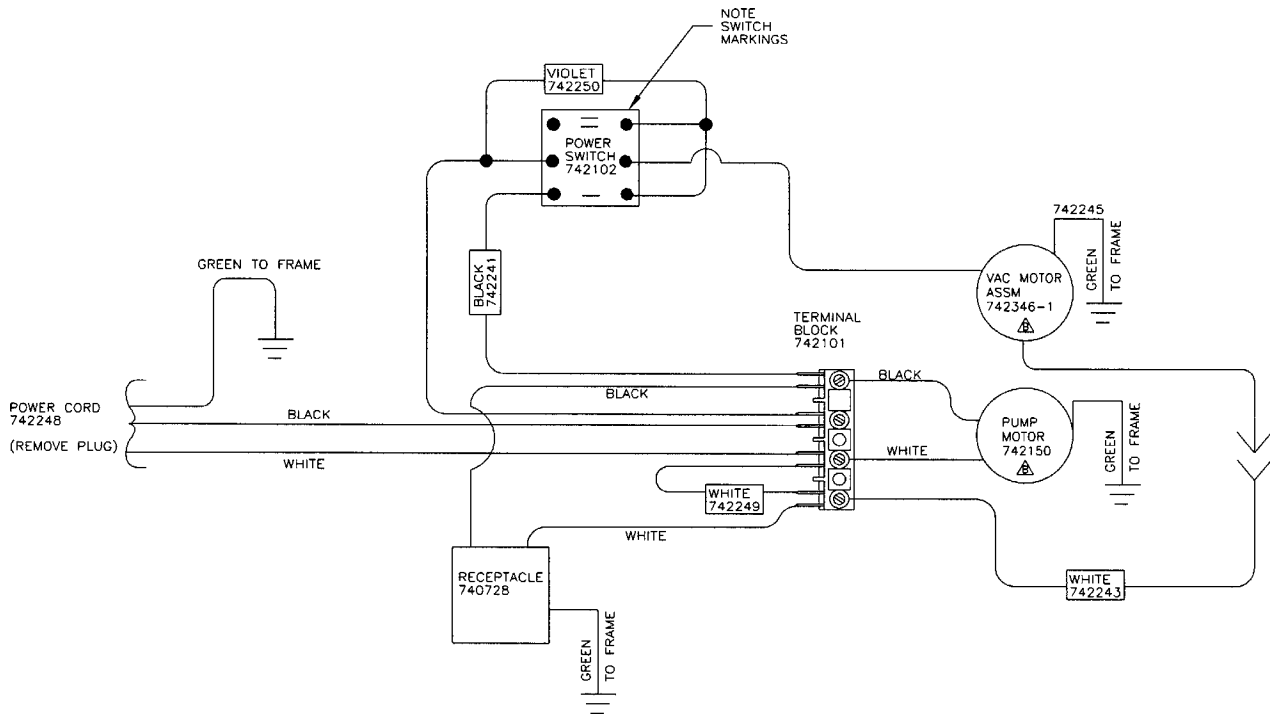
ITEM	PART NO	QTY	DESCRIPTION
1	390049	1	Spring
2	390052	1	Body
3	390053	1	Trigger
4	390054	1	Valve Stem, Brass
5	390055	1	Cap, Valve
6	390056	1	Mount
7	390059	1	Nozzel
8	390060	1	O-Ring, Seal Valve
9	390061	1	O-Ring, Valve Stem
10	390062	1	O-Ring, Valve Seat
11	390063	1	Pin
12	390064	1	Coupling
13	390066	1	Solution Valve Assy Comp
14	450248	1	Spray Jet
15	711803	1	Cotter Pin .06 x .75
16	712320	1	WSR-Nylon .22 x .45 x .04
17	712545	1	SCR-MC 10-32 x .87 SS
18	712636	1	Nut, Hex 10-32 SS
19	450249	1	Hose Assy Comp
	450210	1	Solution Hose, 9.5 Ft
	450211	1	Vacuum Hose Assy
	450218	1	1/4 FPT x 1/8 Barb Brass
	450219	1	Q-Connect Male 22-2 SS
	450223	1	1/8 Barb x 1/8 FPT Brass
	828062	6	Cable Tie Large
	830082	2	Hose Clamp 3/8



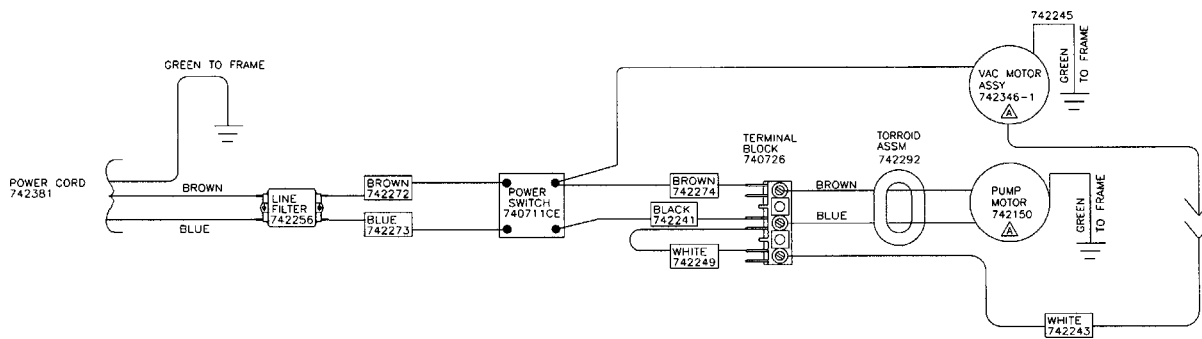
**WIRING DIAGRAM 115 VOLT**



**WIRING DIAGRAM 115 VOLT 400HZ**



**WIRING DIAGRAM STANDARD 230 VOLT**



**WIRING DIAGRAM CE 230 VOLT**

# LIMITED WARRANTY

Minuteman International, Inc. warrants to the original purchaser/user that this product is free from defects in workmanship and materials under normal use and service for a period of one year from date of purchase. In addition, Minuteman International, Inc. will, at its option, honor labor warranty claims for the first 12 months from date of sale, provided such claims are submitted through and approved by factory authorized repair stations. Minuteman International, Inc. will, at its option, repair or replace without charge, except for transportation costs, parts that fail under normal use and service when operated and maintained in accordance with the applicable operation and instruction manuals.

This warranty does not apply to normal wear, or to items whose life is dependent on their use and care, such as belts, cords, switches, hoses, rubber parts, electrical motor components or adjustments. Parts not manufactured by Minuteman International, Inc. such as engines, batteries, battery chargers, hydraulic pumps, and tires are covered by and subject to the warranties and/or guarantees of their manufacturers. Please contact Minuteman International, Inc. for procedures in warranty claims against these manufacturers.

**Special warning to purchaser** — Use of replacement filters and/or prefilters not manufactured by Minuteman International, Inc. or its designated licensees, will void all warranties expressed or implied.

A potential health hazard exists without exact original equipment replacement.

All warranted items become the sole property of Minuteman International, Inc. or its original manufacturer, whichever the case may be.

Minuteman International, Inc. disclaims any implied warranty, including the warranty of merchantability and the warranty of fitness for a particular purpose. Minuteman International, Inc. assumes no responsibility for any special, incidental or consequential damages.

This limited warranty is applicable only in the U.S.A. and Canada, and is extended only to the original user/purchaser of this product. Customers outside the U.S.A. and Canada should contact their local distributor for export warranty policies. Minuteman International, Inc. is not responsible for costs or repairs performed by persons other than those specifically authorized by Minuteman International, Inc. This warranty does not apply to damage from transportation, alterations by unauthorized persons, misuse or abuse of the equipment, use of non-compatible chemicals, or damage to property, or loss of income due to malfunctions of the product.

If a difficulty develops with this machine, you should contact the dealer from whom it was purchased.

This warranty gives you specific legal rights, and you may have other rights which vary from state to state. Some states do not allow the exclusion or limitation of special, incidental or consequential damages, or limitations on how long an implied warranty lasts, so the above exclusions and limitations may not apply to you.

## ***Minuteman***<sup>®</sup>

*A Minuteman International Company*

**World Headquarters**

Minuteman International, Inc.  
111 South Rohlwing Road  
Addison, Illinois 60101

(630) 627-6900  
FAX (630) 627-1130

Minuteman Canada, Inc.  
2210 Drew Road  
Mississauga, Ontario  
L5S 1B1

(905) 673-3222  
FAX (905) 673-5161

988610  
Rev. A 9/05  
Printed in U.S.A.